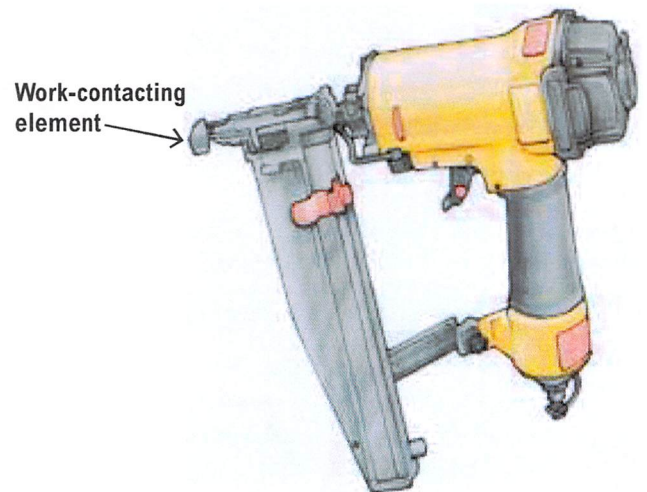


# Pneumatic nailing and stapling equipment

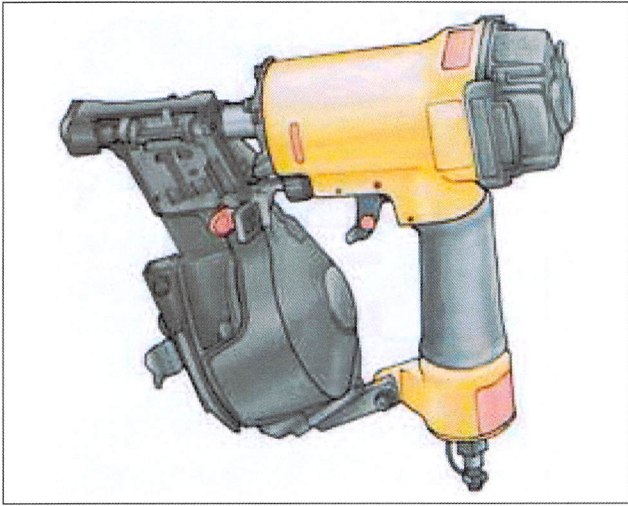
---

## Safe work procedures

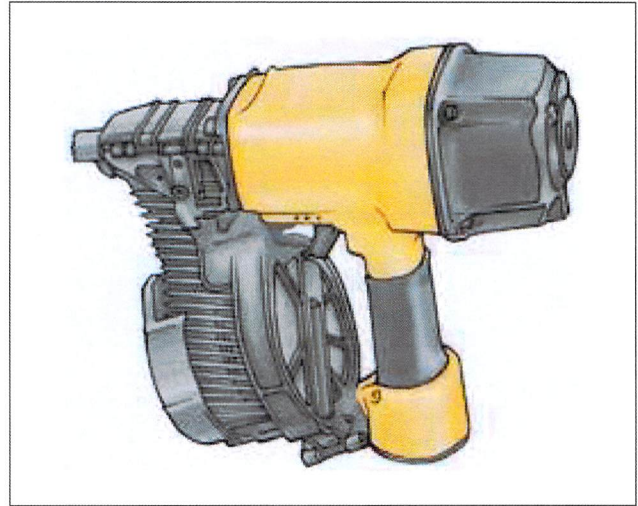
- Permit only trained and experienced workers to operate pneumatic nailing and stapling tools.
- Wear proper eye and hearing protection.
- Make sure the tool is maintained in safe operating condition.
- Inspect the tool before connecting to the air supply:
  - Check safety mechanisms if applicable.
  - Ensure that screws and cylinder caps are securely tightened.
  - Make sure the air pressure is as specified by the manufacturer of the tool.
- Before using, check that the tool is properly connected to the air supply and is in working order, with the safety mechanism operable.
- Do not operate the tool at air pressures above the manufacturer's specifications.
- Always handle the tool as if it contains fasteners.
- Always use a work-contacting element that limits the contact area to one as small as practicable.
- Make sure the mechanical linkage between the work-contacting element and trigger is enclosed.
- Disconnect the tool from the air supply and exhaust all air from the tool by squeezing the trigger when:
  - Not in use
  - Cleaning or adjusting
  - Clearing a blockage
- Only use fasteners recommended by the manufacturer of the tool, and when reloading follow the manufacturer's instructions.
- Do not point the tool at yourself or any other person.
- Do not squeeze the trigger unless the nosepiece of the tool is directed at a safe work surface.
- Do not transport or load the tool with your finger on the trigger.
- Do not secure the trigger in the ON position.
- Do not overreach when using the tool.
- Ensure you have the right amount of air pressure for the size and type of nail you are using (caution: too much pressure can cause a nail to go right through the material and could cause a serious injury to other workers)
- Follow the manufacturer's safe operating procedures when using nailers powered by butane.



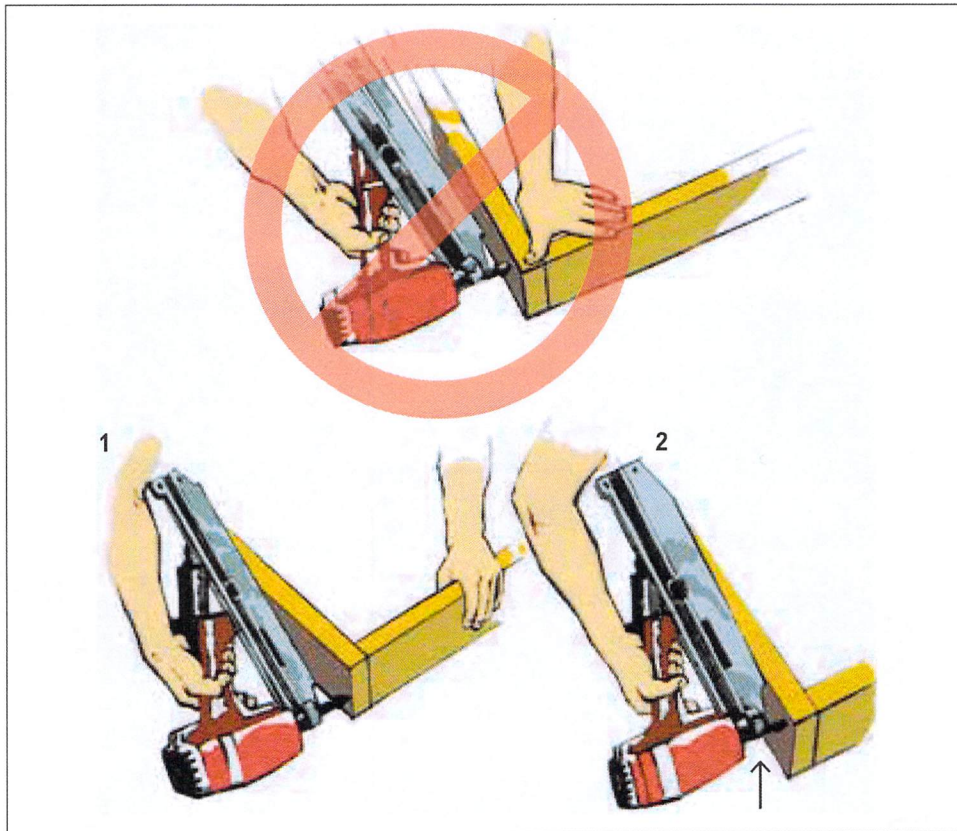
*Pneumatic nailer straight feed*



*Pneumatic nailer and staple gun with coil feed*



*Butane-operated nailer gun with coil feed*



*These two diagrams show the safe sequence for using an air nailer.*